

Adaptor JXCer-S-80N

The adaptor is designed for **Jirous antennas** (of the required frequency band) and allows the installation of **Ceragon** and **Cambium** radio units.

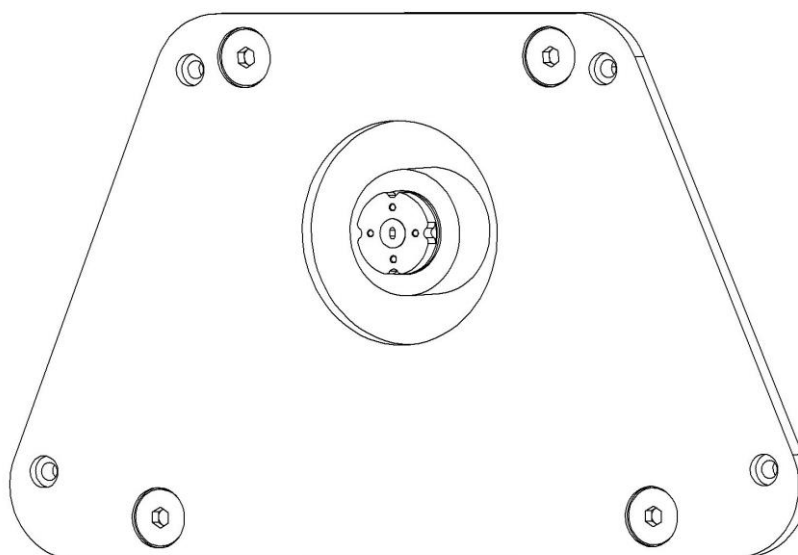
Technical parameters:

Frequency band	80 GHz
Polarization	vertical or horizontal
Insert loss	< 0,1 dB
Waveguide	Rectangular
Material	Aluminum alloy with high corrosion protection Stainless steel
Weight	1 kg (2.2 lbs)
Package size/weight	220x235x50 mm / 1kg (2.2 lbs)

Compatible radio units:

Ceragon: IP-50EX

Cambium: PTP 850EX



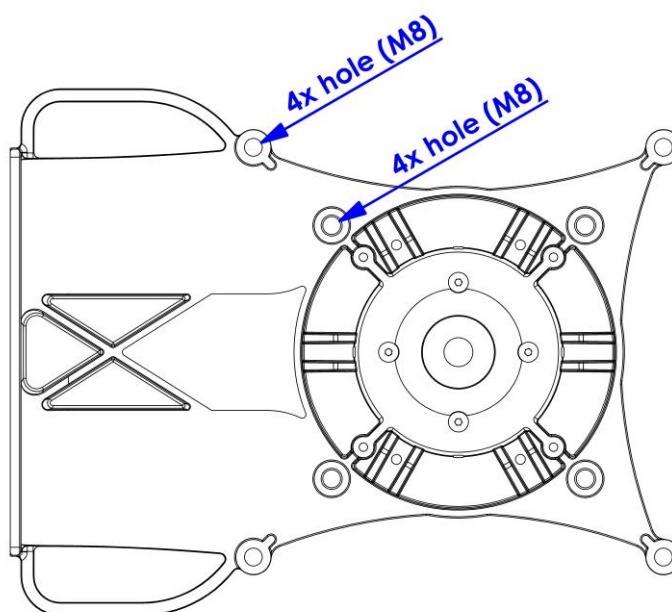
The adaptor

Adaptor JXCer-S-80N

Suitable antennas:

Adaptors require mounting holes M8 at antenna (see pictures below). All Jirous antennas since the year 2022 are compatible.

400 mm / 1 ft antennas
with back part:



680 mm / 2 ft antennas
with back part:

